

Quick Installation Guide

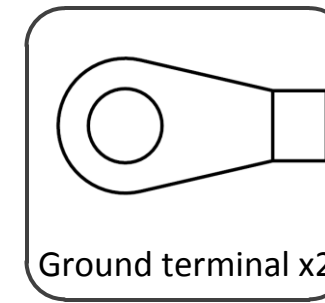
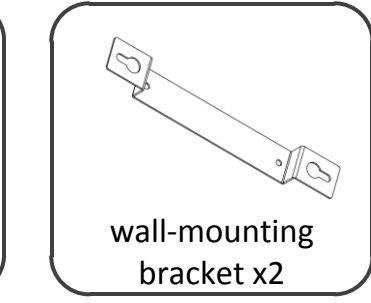
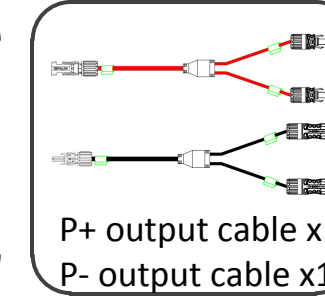
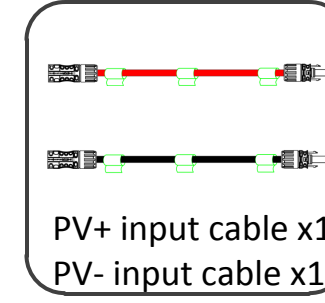
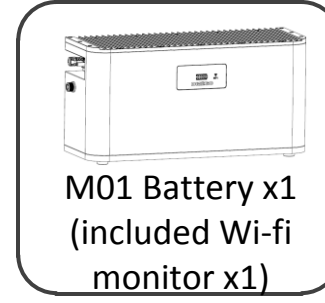
--M01 Lithium-ion Battery

V1.0

I

Packing List

Note: The quick installation guide briefly describes required installation steps. If you have any questions during the installation, please refer to the User Manual for more detailed information.



II

Installation Prerequisites

Make sure that the installation location meets the following conditions:

- The building is designed to withstand earthquakes
- The location is far away from the sea, to avoid sea water and humid air
- The wall installed must be load-bearing
- There are no flammable or explosive materials nearby
- The ambience is shady and cool, keep away from heat as well as direct sunlight
- The temperature and humidity stay at a constant level
- There is minimal dust and dirt in the area
- There is no corrosive gases present, including ammonia and acid vapor
- The ambient temperature is with the range from 0°C to 55°C and the optimal ambient temperature is between 10°C and 35°C

Notice

The M01 battery is rated at IP65 and thus can be installed outdoors as well as indoors. However, if installed outdoors, do not expose the battery to directly sunlight and moisture.

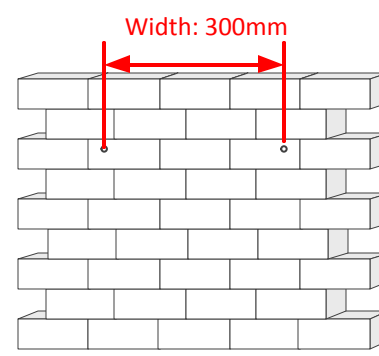
Notice

If the ambient temperature is beyond the operating range, the battery pack will stop operating to protect itself. The optimal temperature range for the battery pack to operate is from 15°C to 35°C. Frequent exposure to harsh temperatures may deteriorate the performance and lifetime of the battery module.

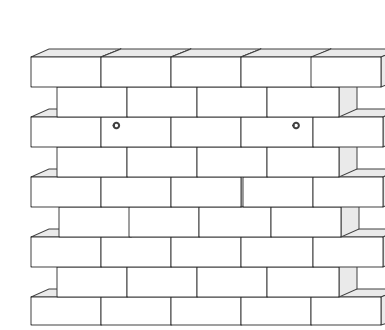
III

Battery Installation

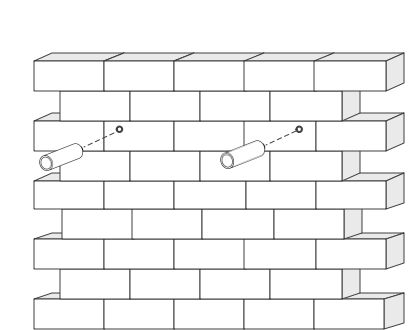
-Mark the position of the holes



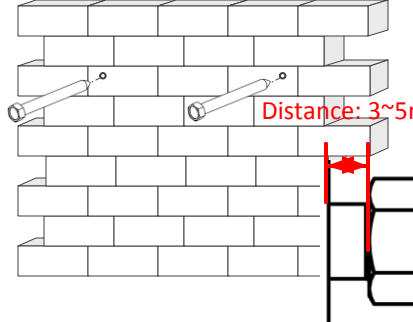
-Drill two holes with a $\phi 10$ drill bit
-Depth: 70mm



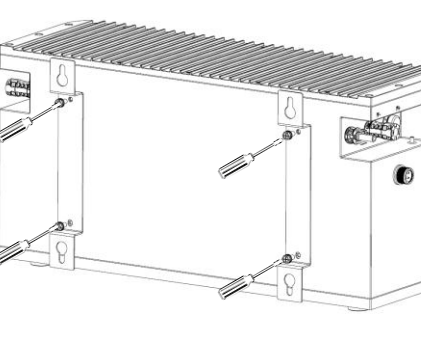
-Hammer the expansion tubes into the holes



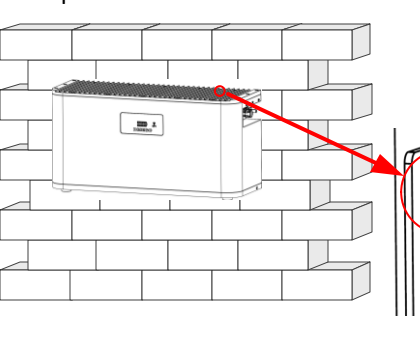
-Screw the expansion bolts until the distance between wall and screw is 3~5mm



-Tighten battery and bracket with M5 screws



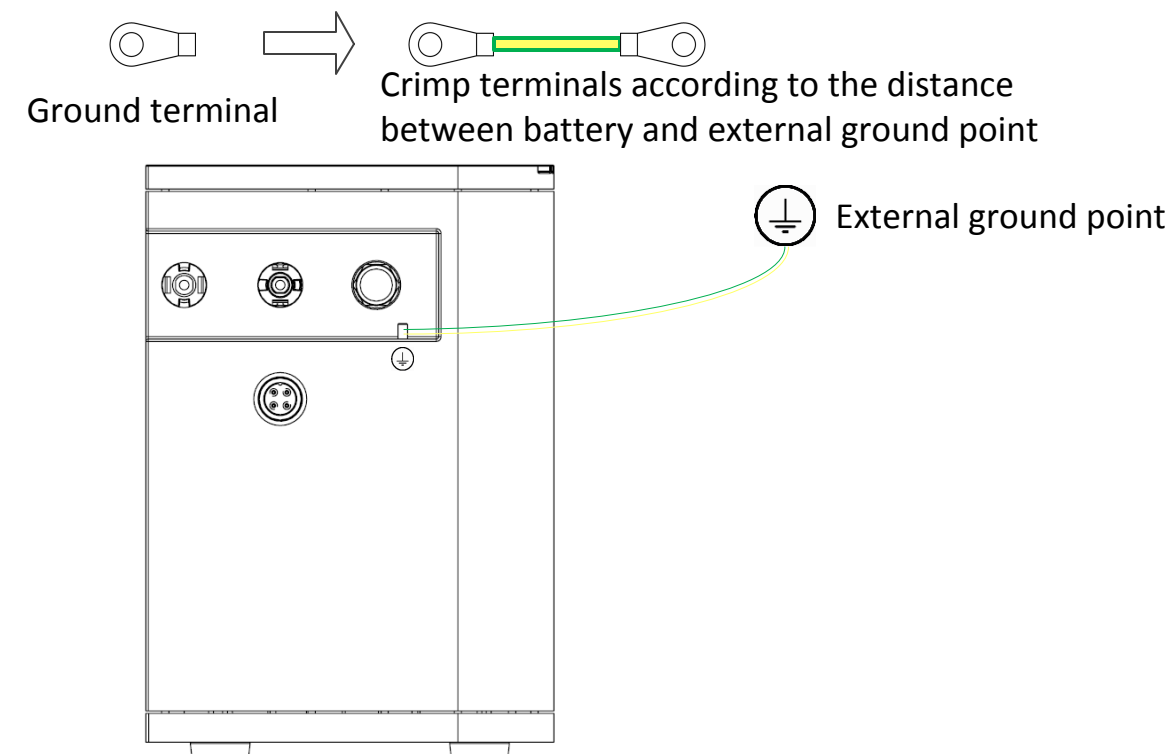
-Hang the battery onto the two expansion bolts



IV

Ground Cable Connection

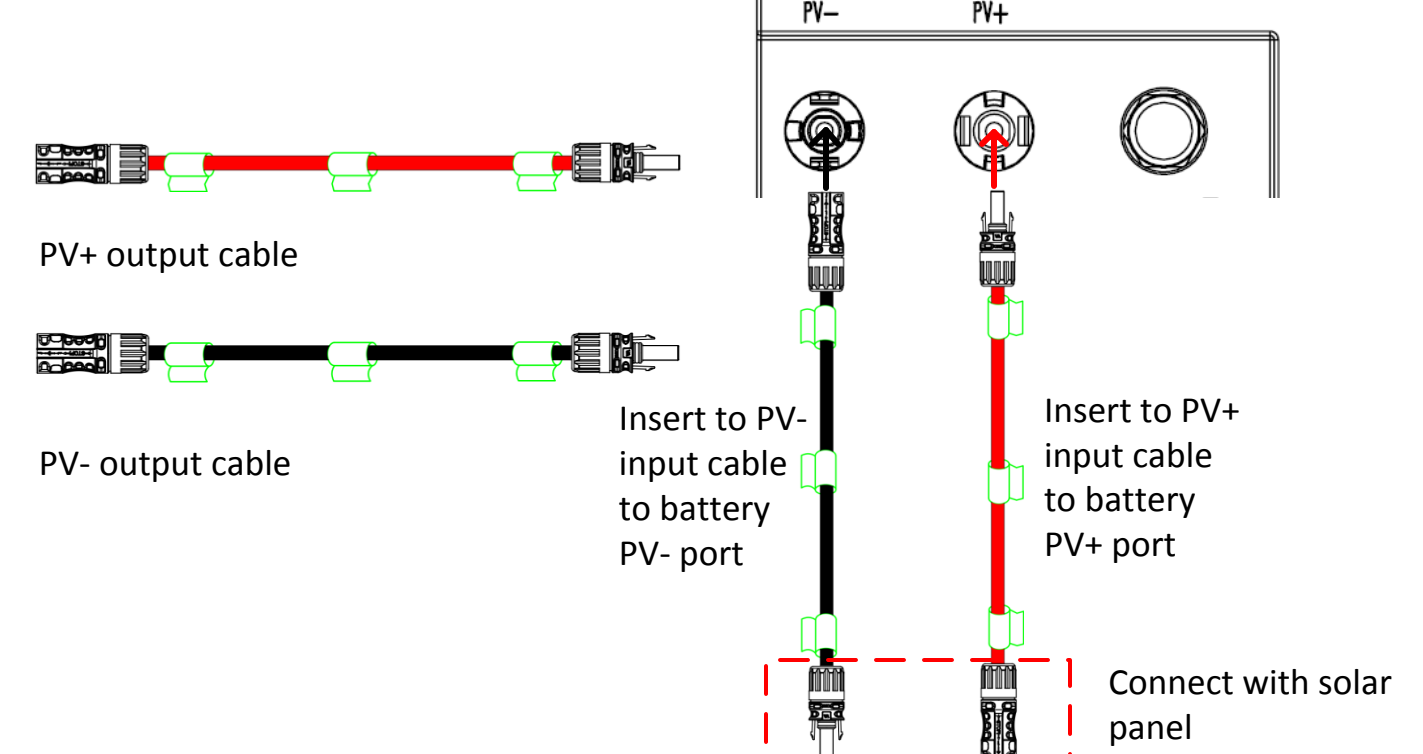
-Connect battery and external ground point with ground cable



V

Power Cable Connection

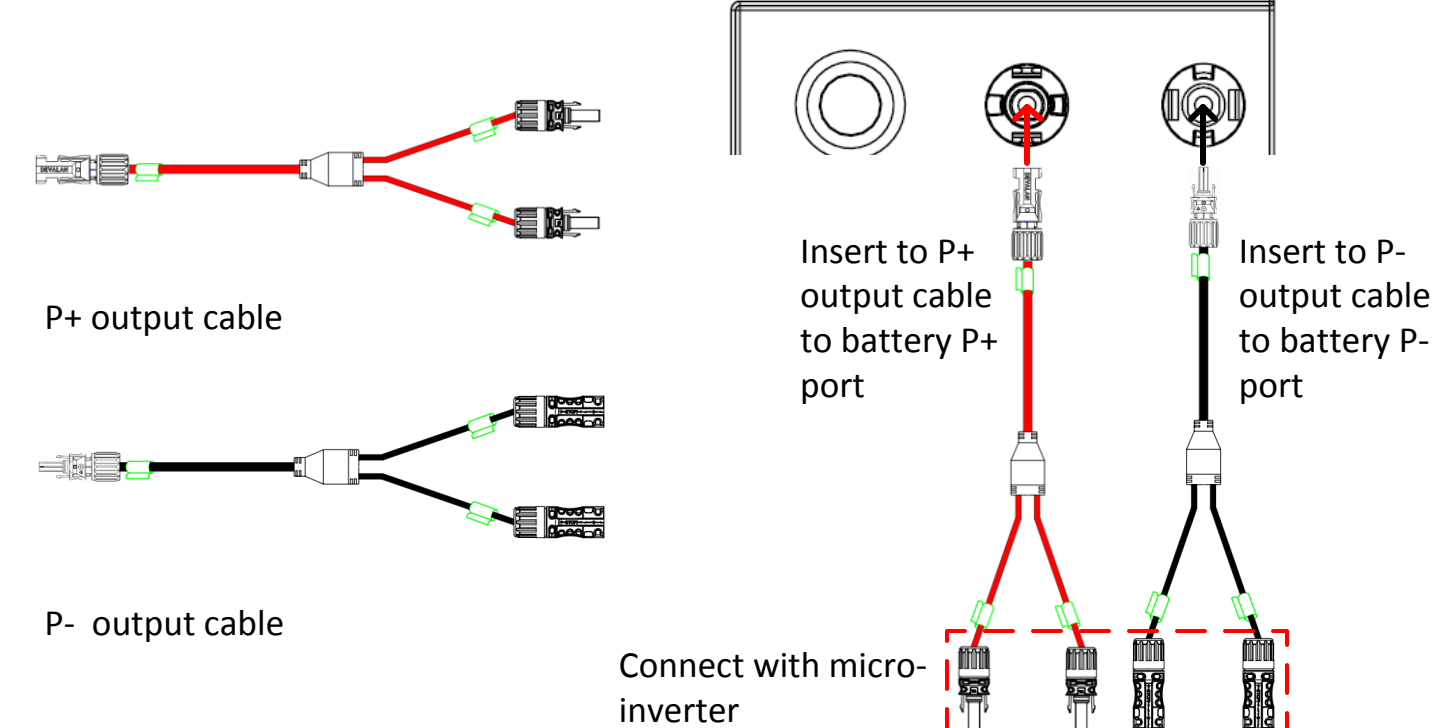
-Connect solar panel and battery with PV+ input cable and PV- input cable



V

Power Cable Connection

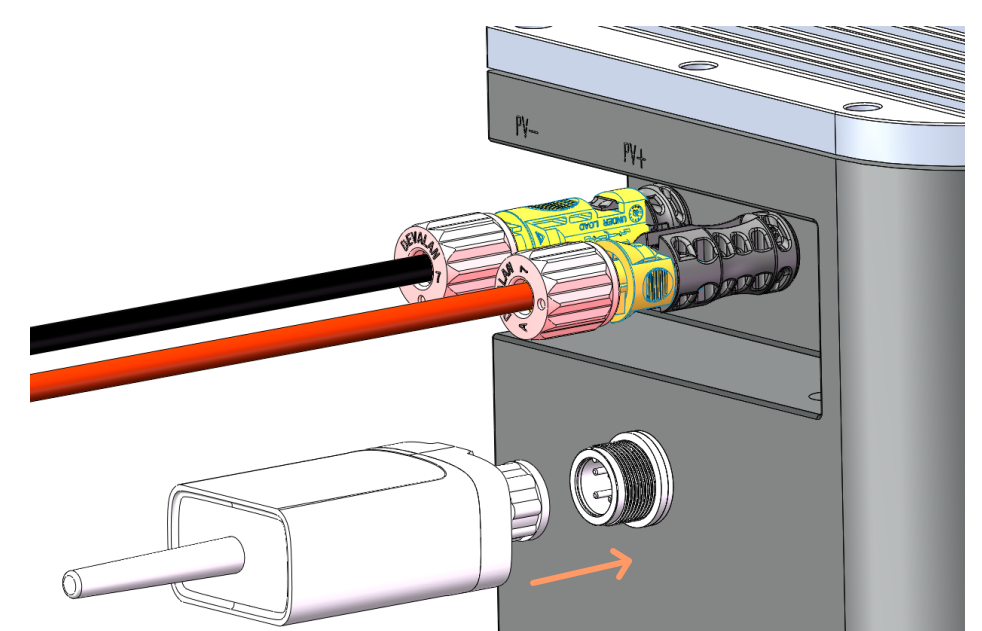
-Connect battery and micro-inverter with P+ output cable and P- output cable.



VI

Wi-fi Monitor Installation

-Take out Wi-fi monitor, plug into the battery and tighten it.
-Wi-fi config and log in



VII

Commissioning

If all the preparatory work is ok, follow these steps to put it in operation.

1. Press the POWER button to turn on the M01 battery system
2. Check whether the status LED indicator is normal

